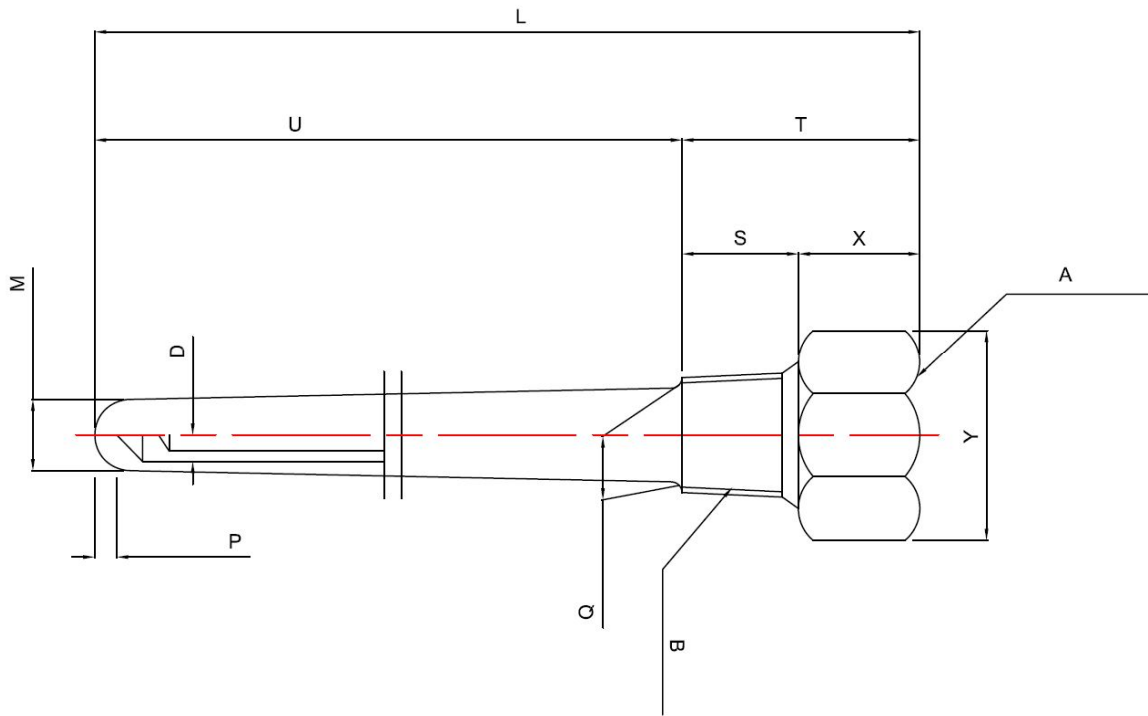


SDTW1A

SCREWED END TYPE DRILLED BARSTOCK THERMOWELL



Create your product for enquiry by selecting the appropriate part number as per sequence.



Example:

SDTW1A – 316LSS MATERIAL – 150mm OVERALL LENGTH – T LENGTH 50mm – U LENGTH 100mm – HEXAGON LENGTH 20mm – ACROSS FLATS 35mm – THREAD LENGTH 30mm – ½" NPT(F) FEMALE THREAD – 1" NPT MALE THREAD – 6.6mm BORE – 27mm ROOT DIAMETER – 5mm TIP THICKNESS – 16mm TIP DIAMETER



1	MATERIAL
L	OVERALL LENGTH (mm)
T	T LENGTH (mm)
U	U LENGTH(mm)
X	HEXAGON LENGTH(mm)

Y	HEXAGON WIDTH ACROSS FLATS(mm)
S	THREAD LENGTH (mm)
A	FEMALE THREAD SIZE
B	MALE THREAD SIZE

D	BORE DIAMETER (mm)
Q	ROOT DIAMETER (mm)
P	TIP THICKNESS (mm)
M	TIP DIAMETER (mm)



With you since 1981